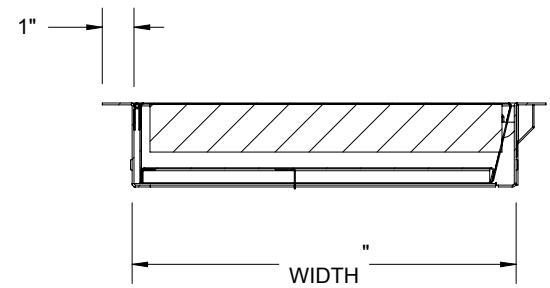


SECTION A-A



SECTION B-B

ROUGH OPENING: " X " "
 CLEAR OPENING: " X " "
 DEGREE OF OPENING: ° X " "

HORIZONTAL
 1 HR WOOD-FRAME CONSTRUCTION
 3 HR NON-COMBUSTABLE CONSTRUCTION
 ON SIZES UP TO AND INCLUDING 24" W X 36" H.

VERTICAL
 1-1/2 HOUR "B" LABEL

NOTES:

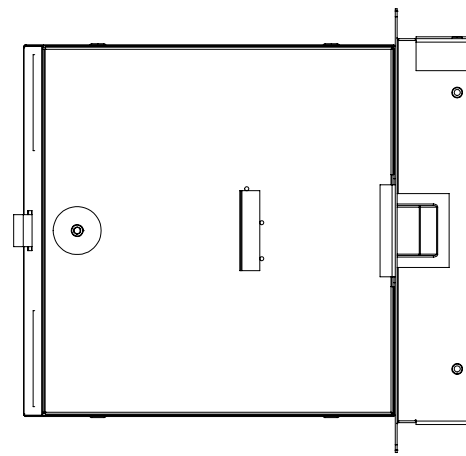
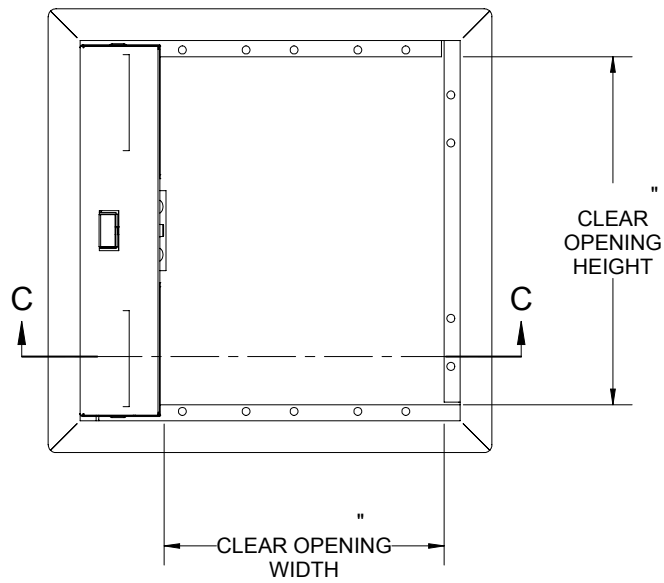
- ① **FRAME:**
- ② **DOOR:**
- ③ **FINISH:**
- ④ **HINGE:**
- ⑤ **SECONDARY LATCH:**
- ⑥ **LOCK:** Knurled Knob/Keyed Slam Latch
- ⑦ **INSULATION:** 2" Thick Fire Rated Mineral Wool, 8 R-Value



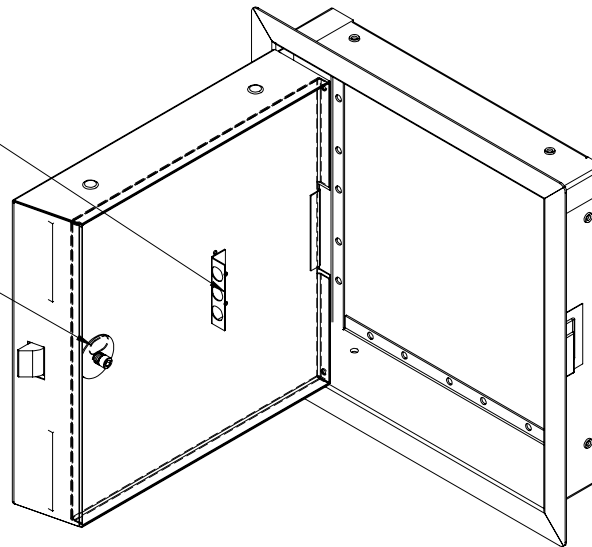
C **UL** US
 LISTED

PROJECT:			
ARCHITECT:			
CONTRACTOR:			
QTY:			
PART#:			
 9300 73rd Avenue North Brooklyn Park, MN 55428		TITLE:	
NAME	DATE	SIZE	DWG. NO.
RELEASED		A	
		WEIGHT: VARIES	
			SHEET 1 OF 2

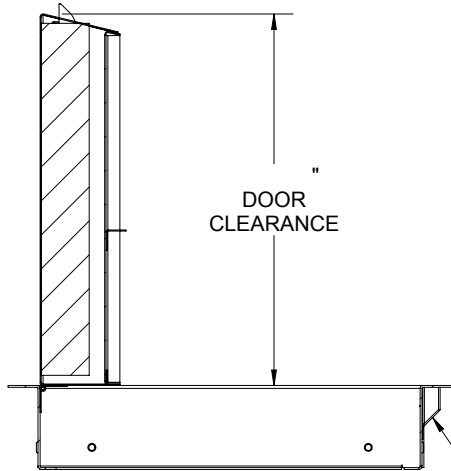
PROPRIETARY AND CONFIDENTIAL: THE INFORMATION CONTAINED IN THIS DRAWING IS THE SOLE PROPERTY OF BABCOCK-DAVIS. ANY REPRODUCTION IN PART OR AS A WHOLE WITHOUT THE WRITTEN PERMISSION OF BABCOCK-DAVIS IS PROHIBITED.



SPRING MOUNT BRACKET
 INTERIOR RELEASE MECHANISM



DOOR CLEARANCE



LATCH BOLT COVER
 EXTENDS 1/2" BEYOND
 OUTSIDE EDGE OF FRAME

PART#:		TITLE:			
9300 73rd Avenue North Brooklyn Park, MN 55428					
NAME	DATE	SIZE	DWG. NO.	REV	
DRAWN		A		-	
RELEASED		WEIGHT: VARIES		SHEET 2 OF 2	